

DC Current Transducer

DIN RAIL / PANEL MOUNT, RMS



Single Element - .79" Window
2 to 300 ADC Input Range



Single Element - 1.2" Window
20 to 300 ADC Input Range

The **CR5200** Series, DC Current Transducers are designed to provide a DC signal which is proportional to a DC sensed current. These devices are designed for direct current only, targeting them towards general and daily applications. The ranges 2 to 10 Amp utilize an advanced Magnetic Modulator technology and the ranges 20 amps and above utilize Hall Effect technology.

Applications

Battery chargers and systems
DC motor drives
Power supply management
Mobile applications

Features

Closed loop sensing for accuracy
35mm DIN rail or panel mount
 ± 5 VDC or 4 - 20 mADC outputs
Non-contact DC current sensing
Connection diagram printed on case

Regulatory Agencies

Approved to UL3111-1, First Edition, Amendment 2



All single element current transducers are available in split core design.
Simply put an "S" at the end of the prefix

PART NUMBERS			
CR5210(S)	▪		Single Element with ± 5 VDC output (split core design)
CR5211(S)	▪		Single Element with ± 10 VDC output (split core design)
CR5220(S)	▪		Single Element with 4 - 20 mADC output (split core design)
NOTE: CR5210S and CR5220S cannot go below 20 Amps.			
NOTE: CR5200 Series is available with 12V Power Supply. Use same application as 24V Power Supply.			
Example Part Number: CR5210-300-12.			

☐ Add suffix for input range

- 2** - 0-2 ADC
- 5** - 0-5 ADC
- 10** - 0-10 ADC
- 20** - 0-20 ADC
- 30** - 0-30 ADC
- 50** - 0-50 ADC
- 75** - 0-75 ADC
- 100** - 0-100 ADC
- 150** - 0-150 ADC
- 300** - 0-300 ADC



Another HUNTINGTON ELECTRIC Company

CR Magnetics, Inc. 3500 Scarlet Oak Blvd. St. Louis MO USA 63122 V: 636-343-8518 F: 636-343-5119

Web: <http://www.crmagnetics.com>

E-mail: sales@crmagnetics.com

C
Transducers

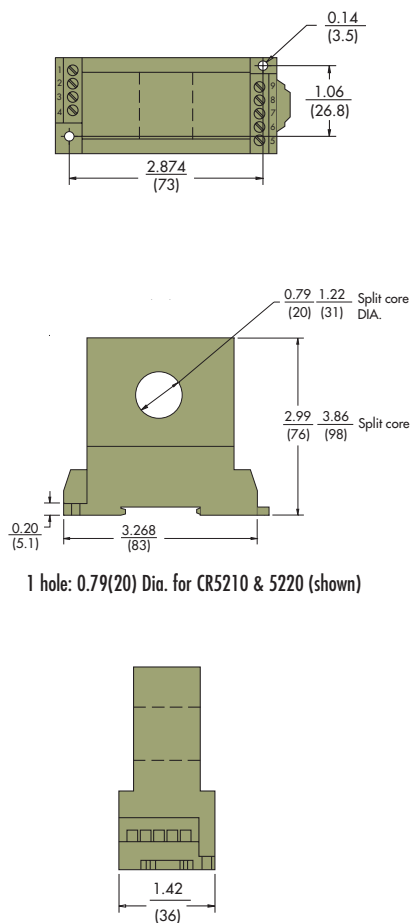
SPECIFICATIONS

Basic Accuracy:..... 1.0 %
 Thermal Drift:..... 500 PPM/°C
 Operating Temperature:..... 0°C to +50°C
 Response Time: 250 ms. max.,0-90%
 FS
 Insulation Voltage:..... 2500 VDC
 Supply Voltage:..... 24 VDC ±10%
 Frequency Range:..... DC only
 MTBF:..... Greater than 100 K hours

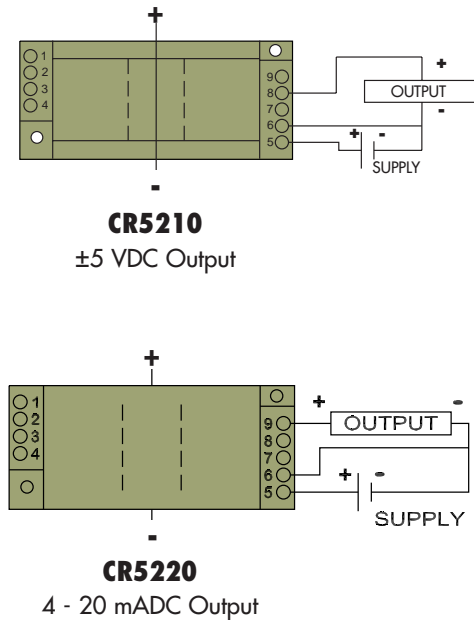
Output Load:..... ±5 or ±10 VDC..... 2 K Ω or greater
 4-20 mADC..... 0 - 300 Ω

Supply Current:

CR5210:.....Typical 35mA Max 40mA
 CR5210S:.....Typical 30mA Max 35mA
 CR5220:.....Typical 60mA Max 100mA
 CR5220S:.....Typical 40mA Max 50mA
 Torque Specs.:..... 3.0 inch lbs. (0.4Nm)
 Weight:.....0.5 lbs.



OUTLINE DRAWING



CONNECTION DIAGRAM

NOTE: The building installation must have a switch or circuit-breaker that is in close proximity and within easy reach of the operator. The switch or circuit breaker shall be marked as the disconnecting device for the equipment.

