

# Precision Test Adapters

## N(F) to SMA(F)

**Withwave's Precision Test Adapters** are designed based on precision microwave interconnection technologies. This N(F) to SMA(F) adapter is manufactured to precise microwave specifications and constructed with female gender on side 1 and female gender side 2. The precision microwave connector interfaces ensure an excellent microwave performance up to 18 GHz



### ■ Features

- Frequency range : DC to 18 GHz
- VSWR : 1.2 : 1(Max) @ 18 GHz
- Stainless steel (passivated)

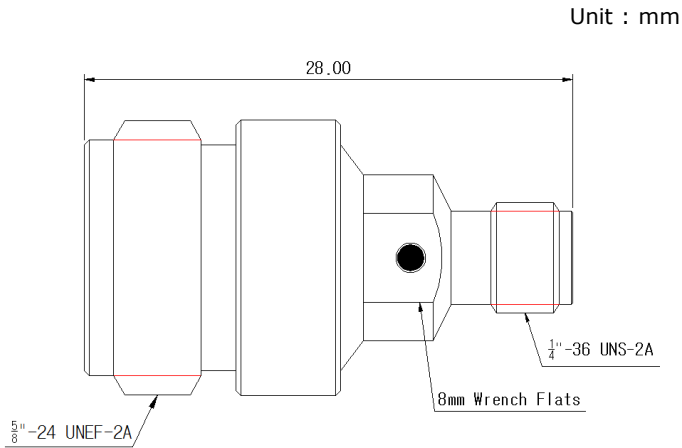
### ■ Specification

Scope	Specification	AD07F06FS2
Electrical	Impedance(Ohm)	50
	Operation Freq.(GHz)	DC to 18 GHz
	VSWR (Max)	1.2 : 1
Material	Dielectric	PTFE
	Center Contact	Brass (gold plated)
	Body	Passivated Stainless Steel

\* RoHS Compliant

### ■ Drawing

Part No.: AD07F06FS2



### ■ Test Result

\* Freq. range: 10 MHz to 18 GHz

