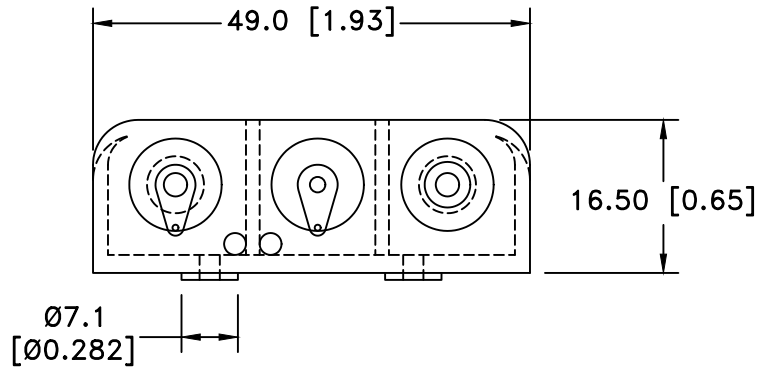
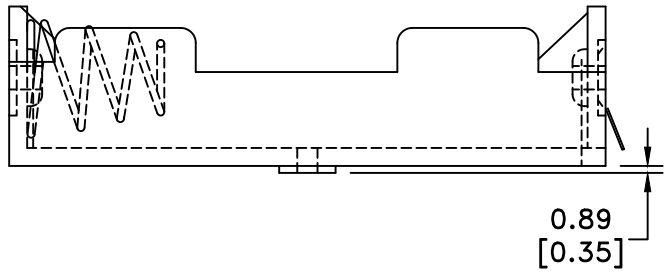
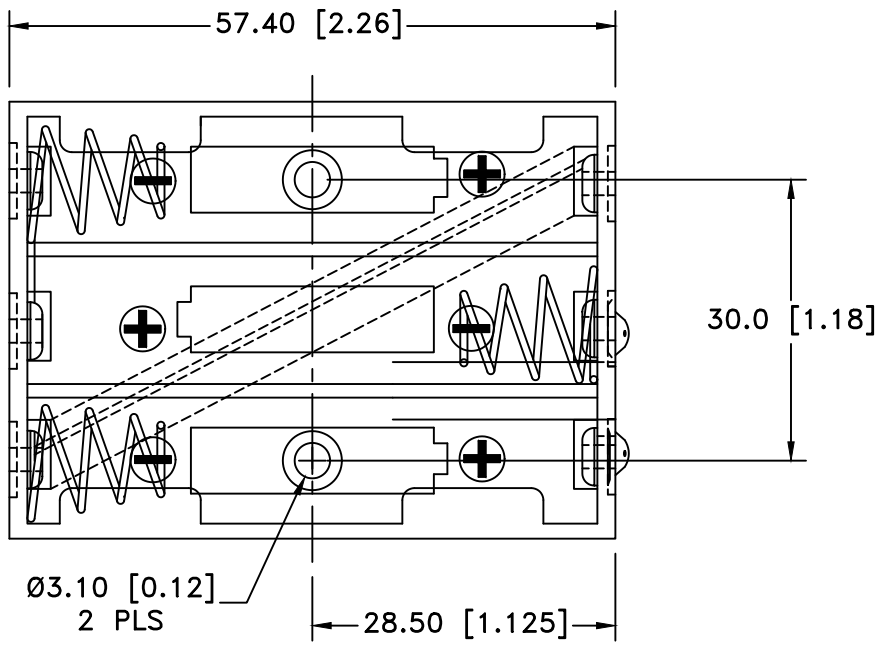



Date	SYM	REVISION RECORD	AUTH	DR.	CK.
05/12/17	G	UPDATED MATERIAL	T.B.	B.S.	
05/19/17	H	ADDED DIM. Ø3.10	T.B.	B.S.	
03/06/19	J	UPDATED TO "ROHS COMPLIANT"	T.B.	B.S.	



NOTES:

1. MATERIAL:
 HOUSING : POLYPROPYLENE
 FLAMMABILITY RATING: UL94 HB, UL FILE NO. E216959
 TEMPERATURE RANGE: -10°C TO +100°C
 RIVETS: BRASS, NICKEL PLATED
 LUGS: BRASS, NICKEL PLATED
 SPRING: SPRING STEEL, NICKEL PLATED.
 CONTACT RESISTANCE: UNDER 50m Ω FOR ± CONTACTS PER EIA-540J000
 ROHS COMPLIANT

Tolerance (Except as noted)	 Memory Protection Devices, Inc 200 Broad Hollow Road, Farmingdale, New York 11735		
	decimal ±.5 (.020)	Scale	Drawn By B.S. Approved By T.B.
Fractional ± .8 (.030)	Title THREE "AA" CELL HOLDER WITH SOLDER LUGS		
Angular ± 3°	Date 03/06/19	Drawing Number BC3AAL	