

MATERIALS:

Shell: Zinc alloy with black Nickel plating
 Insert: PPS, UL-94V-0 rated
 Contacts: Brass, Gold plated

MECHANICAL SPECIFICATIONS:

Coupling type: Screw type
 Contact termination: Solder
 Cable O.D. range: 5 ~ 8mm
 Mating cycles: >500

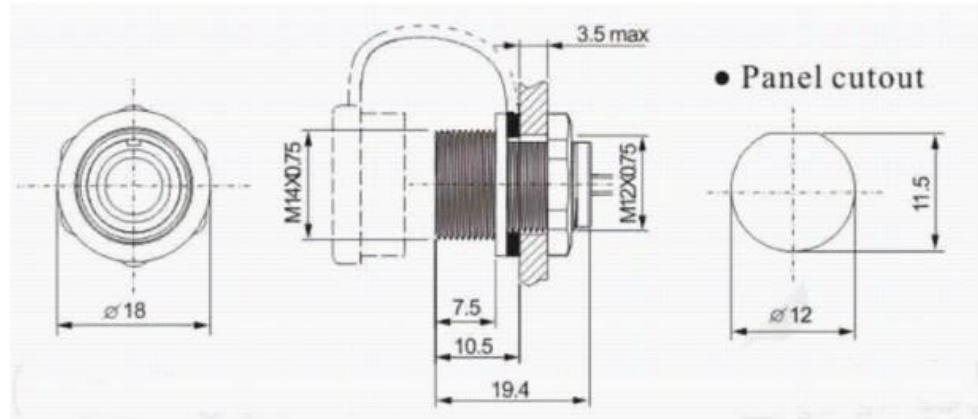
ENVIRONMENTAL SPECIFICATIONS:

IP rating: IP67
 Temperature range: -40°C ~ +85°C



ORDERING CODE:
 PD-ST1212-SX

Number of contacts (from chart)



Number of contact	2	3	4	5	6	7	9
Male contact face view							
Rated current (A)	13A	13A	5A	5A	5A	5A	3A
Contact diameter	∅ 1.6X2	∅ 1.6X3	∅ 1X4	∅ 1X5	∅ 1X6	∅ 1X7	∅ 0.7X9
Rated voltage (AC.V)	250V	250V	200V	180V	125V	125V	125V
Test voltage(AC.V) 1 min	1500V	1500V	1500V	1000V	1000V	1000V	1000V
Contact resistance mΩ	2	2	5	5	5	5	10
Wire size min. AWG	≤2/14	≤2/14	≤0.785/18	≤0.785/18	≤0.785/18	≤0.785/18	≤0.785/18

TOLERANCE UNLESS OTHERWISE SPECIFIED X ± 1 X.X ± 0.4 X.XX ± 0.13		Power Dynamics, Inc. Phone: 973 560-0019 Whippany, New Jersey Fax: 973 560-0076	
DRAWN BY: PB DATE: 10/30/17		PART #: PD-ST1212-SX	
CHECK BY: DATE:		SHEET 1 of 1	
APPR BY: DATE:		SCALE: NTS ALL DIMENSIONS FOR REFERENCE ONLY DIMENSIONS ARE IN MILLIMETERS	

Power Dynamics, Inc.
 Phone: 973 560-0019 Whippany, New Jersey Fax: 973 560-0076
 PART: METAL IP67 WATERPROOF FEMALE FRONT PANEL
 MOUNT CONNECTOR; 2 - 9 CONTACTS; SOLDER TERMINATION

PD-ST1212-SX
 SHEET 1 of 1
 SCALE: NTS ALL DIMENSIONS FOR REFERENCE ONLY DIMENSIONS ARE IN MILLIMETERS

REV	DATE	CHANGE	CHK	CHK	APPR

D
C
B
A

D
C
B
A

6 5 4 3 2 1

6 5 4 3 2 1