

REVISION -
07/23/96 TS

REVISION A
REFORMATTED
07/14/97 TS

REVISION B
CHANGED A.7.
08/23/99 TS

REVISION C
ADDED RoHS
01/10/06 MP

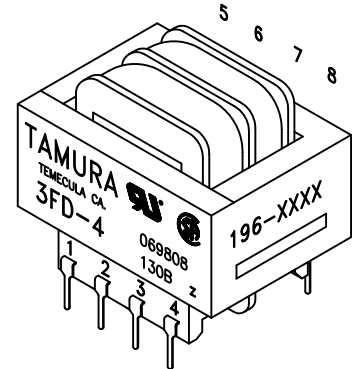
REVISION D
SAFETY UPDATED.
FUSE INFO
ADDED.
6-25-09 MP

A. Electrical Specifications (@ 25°C)

1. Maximum Power: 6.0 VA.
2. Input Voltage and Frequency: 115V/230V 50/60 Hz.
3. Secondary Voltage: See Table A.
4. Voltage Regulation: 18% TYP @ full load to no load.
5. Temperature Rise: 35°C TYP (45°C MAX allowed).
6. Insulation Resistance:
100 MΩ MIN @ 500VDC, Pri to Sec, Pri to Core.
100 MΩ MIN @ 500VDC, Sec to Core.
7. Hi-Pot: 2500 Vrms 1 minute @ Pri to Sec.
1500 Vrms 1 minute @ Pri to Core.
1500 Vrms 1 minute @ Sec to Core.
500 Vrms 1 minute @ Sec to Sec.



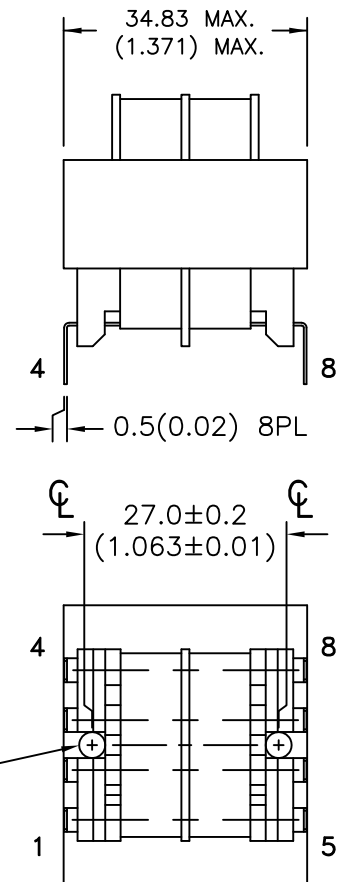
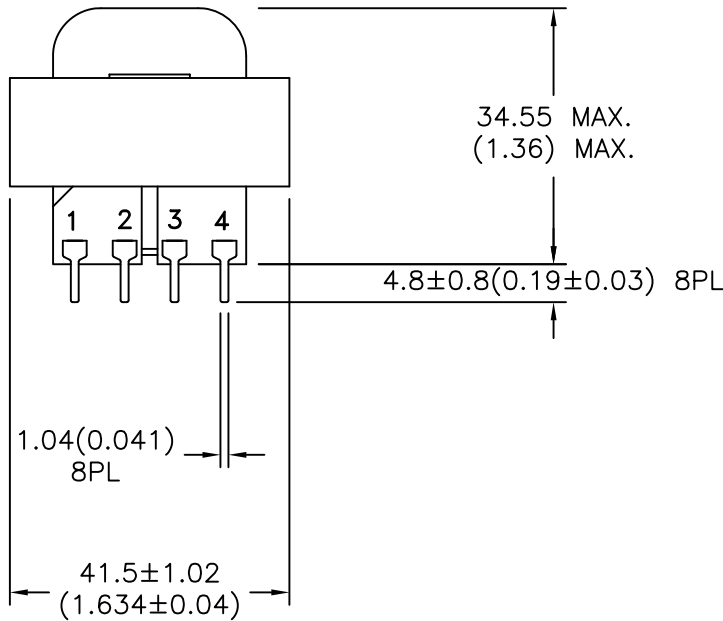
B. Marking: TAMURA, Tamura part number (see sheet 2), MICROTRAN, Microtran part number (see sheet 2), date code, country of origin, safety logos and input and output ratings.



C. Safety:

- Insulation Class B (130°C) File No. E92957.
- CSA 22.2 No. 66-1988, File No. 069808.
- UL 1585, Class 2 or 3, Noninherently limited, File No. E95844.
- UL 506, General Purpose, File No. E91239.

D. Mechanical Specifications:



CLEARANCE HOLE
FOR 4-40 (M3) MS
ø3.0(0.118) MIN, 2PL

PREPARED BY:

E. BRINER

ENGINEER:

M. PITCHAI

SAFETY ENGINEER

B. O.

APPROVED:

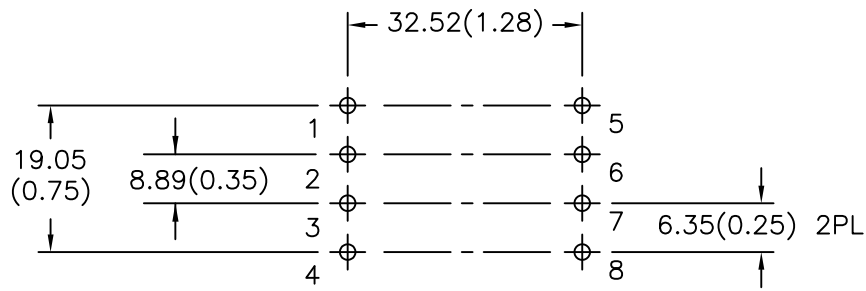
T. BROOKS

DRAWING CONTROL NO.	REV	MODEL DESCRIPTION	MODEL SPECIFICATION
P-A1-11163-1	D	SIZE 4 3FD & PSD FAMILY POWER TRANSFORMER	3FD-4XX & PSD4-XX
CONTENTS OF THIS DRAWING ARE SUBJECT TO CHANGE WITHOUT PRIOR NOTICE		TAMURA CORPORATION OF AMERICA 1040 SOUTH ANDREASEN DRIVE, #100 ESCONDIDO, CA. 92029 (951) 699-1270 FAX 7607400536	DIM: mm[In] SCL: NONE SH: 1 OF 2

PROPRIETARY NOTICE: THIS DRAWING PRINT OR DOCUMENT AND SUBJECT MATTER DISCLOSED HEREIN ARE PROPRIETARY ITEMS TO WHICH TAMURA RETAINS THE EXCLUSIVE RIGHT OF DISSEMINATION, REPRODUCTION, MANUFACTURE AND SALE. THIS DRAWING, PRINT OR DOCUMENT IS SUBMITTED IN CONFIDENCE FOR CONSIDERATION BY THE RECIPIENT ALONE UNLESS PERMISSION FOR FURTHER DISCLOSURE IS EXPRESSLY GRANTED IN WRITING.

SEE SHEET
1 OF 2 FOR
REVISION
HISTORY

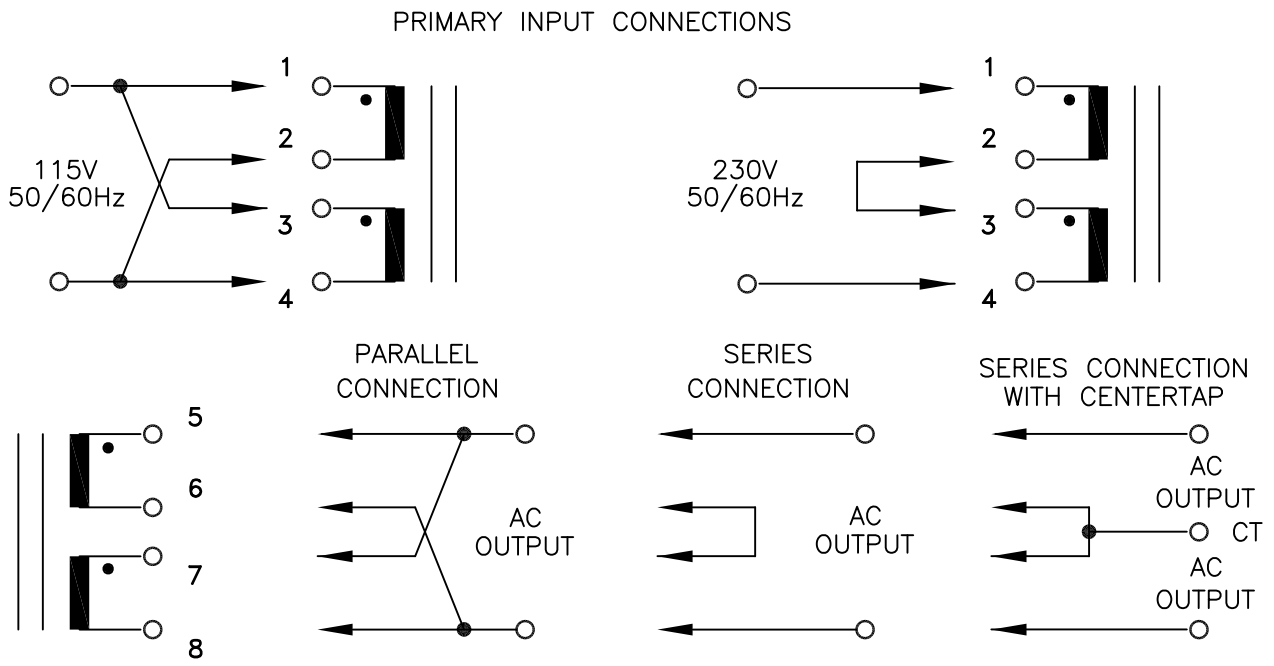
E. Mounting Footprint:



MODEL NUMBER

3FD-4XX & PSD4-XX

F. Connection Diagram:



*not UL - recognized for series connect.

G. Table A: (NOTE: All parts are dual marked with both part numbers)

UL APPROVED FUSE

TAMURA P/N	MICROTRAN PART NO.	PARALLEL		SERIES		SERIES WITH CT		SECONDARY FUSE REQUIRED EACH WINDING
		AC VOLTS	RMS AMPS	AC VOLTS	RMS AMPS	AC VOLTS	RMS AMPS	
3FD-410	PSD4-10	5.0	1.20	10.0	0.60	5.0-CT-5.0	0.60	0.75A
3FD-412	PSD4-12	6.3	1.00	12.6	0.50	6.3-CT-6.3	0.50	0.63A
3FD-416	PSD4-16	8.0	0.80	16.0	0.40	8.0-CT-8.0	0.40	0.5A
3FD-420	PSD4-20	10.0	0.60	20.0	0.30	10.0-CT-10.0	0.30	0.4A
3FD-424	PSD4-24	12.0	0.50	24.0	0.25	12.0-CT-12.0	0.25	0.315A
3FD-428	PSD4-28	14.0	0.40	28.0	0.20	14.0-CT-14.0	0.20	0.25A
3FD-436	PSD4-36	18.0	0.34	36.0	0.17	18.0-CT-18.0	0.17	0.2A
3FD-448	PSD4-48	24.0	0.25	48.0	0.125	24.0-CT-24.0	0.125	0.15A
3FD-456	PSD4-56	28.0	0.22	56.0	0.11	28.0-CT-28.0	0.11	0.15A
3FD-4120	PSD4-120	60.0	0.10	120.0*	0.05	60.0-CT-60.0	0.05	N/A

PREPARED BY:

E. BRINER

ENGINEER:

M. PITCHAI

SAFETY ENGINEER

B. O.

APPROVED:

T. BROOKS

DRAWING CONTROL NO. P-A1-11163 REV D

MODEL DESCRIPTION SIZE 4 3FD & PSD FAMILY POWER TRANSFORMER

MODEL SPECIFICATION 3FD-4XX & PSD4-XX

CONTENTS OF THIS DRAWING ARE SUBJECT TO CHANGE WITHOUT PRIOR NOTICE

TAMURA CORPORATION OF AMERICA 1040 SOUTH ANDREASEN DRIVE, #100 ESCONDIDO, CA. 92029 (951) 699-1270 FAX 7607400536

DIM: mm[In] SCL: NONE SH: 2 OF 2

PROPRIETARY NOTICE: THIS DRAWING PRINT OR DOCUMENT AND SUBJECT MATTER DISCLOSED HEREIN ARE PROPRIETARY ITEMS TO WHICH TAMURA RETAINS THE EXCLUSIVE RIGHT OF DISSEMINATION, REPRODUCTION, MANUFACTURE AND SALE. THIS DRAWING, PRINT OR DOCUMENT IS SUBMITTED IN CONFIDENCE FOR CONSIDERATION BY THE RECIPIENT ALONE UNLESS PERMISSION FOR FURTHER DISCLOSURE IS EXPRESSLY GRANTED IN WRITING.