

Precision Test Adapters

2.4 mm(F) to SMPM(F)

Withwave's Precision Test Adapters are designed based on precision microwave interconnection technologies. **This 2.4mm(F) to SMPM(F)** adapter is manufactured to precise microwave specifications and constructed with female gender on side 1 and female gender side 2. The precision microwave connector interfaces ensure an excellent microwave performance up to 50 GHz



■ Features

- Frequency range : DC to 50 GHz
- VSWR : 1.4 : 1(Max) @ 50 GHz
- Stainless steel (passivated)

■ Specification

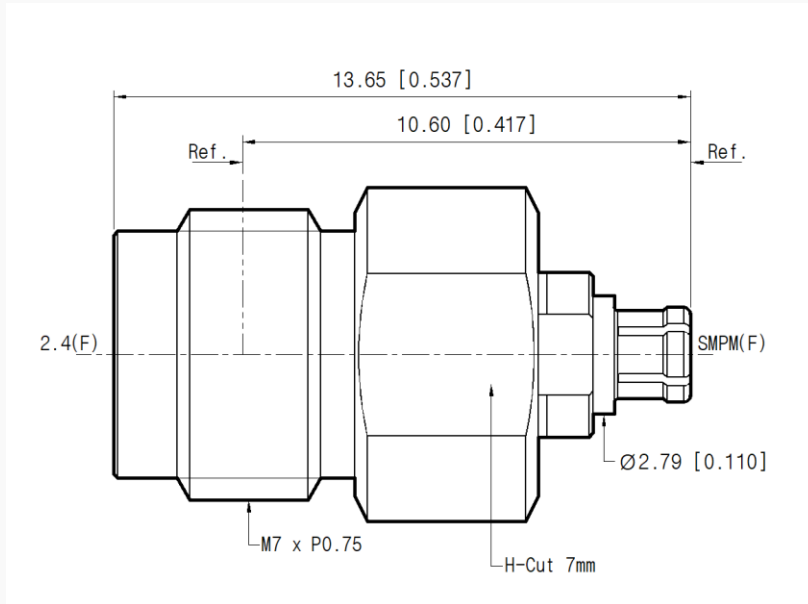
| Scope | Specification | AD02F17FS1 |
|------------|----------------------|-----------------------------------|
| Electrical | Impedance(Ohm) | 50 |
| | Operation Freq.(GHz) | DC to 50 GHz |
| | VSWR (Max) | 1.4: 1 @ 50 GHz |
| Material | Dielectric | Special dielectric |
| | Center Contact | Beryllium copper with gold plated |
| | Body | Passivated Stainless Steel |

* RoHS Compliant

■ Drawing

Part No.: AD02F17FS1

Unit : mm



■ Test Result

▪ Frequency : 10 MHz to 50 GHz

