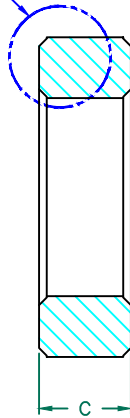
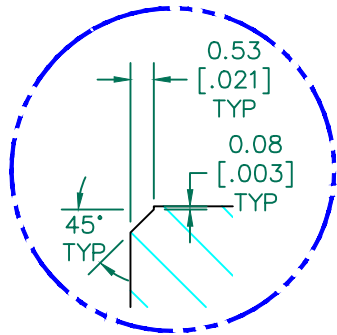


SEE DETAIL "A"

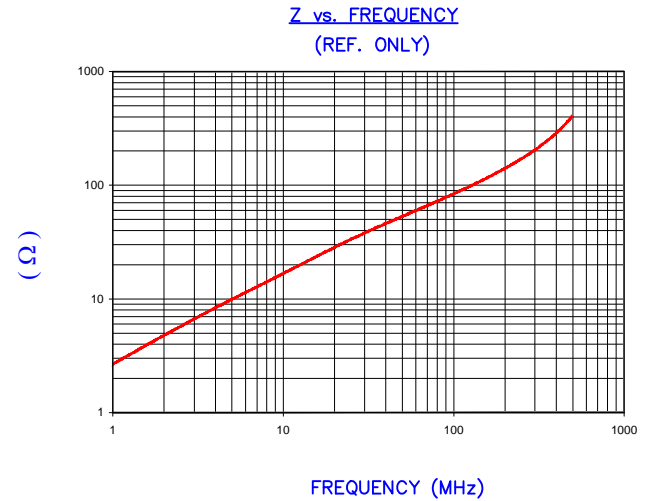


SECTION A-A



DETAIL "A"
SCALE: 5:1

IMPEDANCE (Z)			
Frequency	25 MHz	100 MHz	300 MHz
Nominal (REF)	34 Ω	85 Ω	205 Ω
Minimum	- Ω	68 Ω	- Ω



AGILENT E4991A Impedance/Material Analyzer
HP 16092A Test Fixture

UNCONTROLLED DOCUMENT

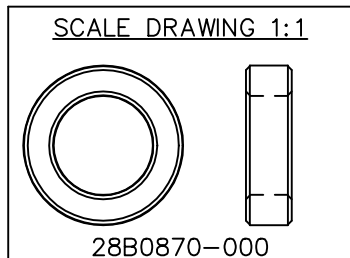
FERRITE CORE DIMENSIONS (SPEC): mm/inches

A	22.10 [.870]	±	0.46 [.018]
B	13.72 [.540]	±	0.25 [.010]
C	6.35 [.250]	±	0.18 [.007]

WEIGHT/1000 7.35 kgs [16.2 Lbs]

NOTES: UNLESS OTHERWISE SPECIFIED

1. COSMETIC SPECIFICATION REFER TO WI-QA-038.



DIMENSIONS ARE IN MM [INCHES].				This print is the property of Laird Tech. and is loaned in confidence subject to return upon request and with the understanding that no copies shall be made without the written consent of Laird Tech. All rights to design or invention are reserved.					
J	UPDATE THE LOGO	05/13/15	QIU						
F	UPDATE TEMPLATE	12/25/09	Jcai	PROJECT/PART NUMBER: 28B0870-000		REV	G	PART TYPE: FERRITE CNZ CORE	DRAWN BY: DJB
E	UPDATE FORMAT & Z SPECS ADD CURVE CHANGE P/N REMOVE COATING SPECS	07/07/03	JRK						
D	UPDATE PRINT FORMAT ADD CHAMFER DETAIL	04/02/02	JRK	DATE:	9/12/91	SCALE:	2 : 1	MATERIAL:	FERRITE
C	CHG P/N TO 28B0870-00*, ADD COATING SPECS	03/19/99	I.S.	CAD #	28B0870-000-G	TOOL #	B0870		
B	UPDATED P/N FOR NEW CATALOG	9/25/95	JBE						
A	ORIGINAL DRAFT	9/12/91	DJB						
REV	DESCRIPTION	DATE	INT						