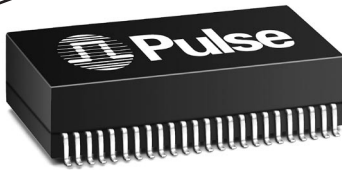
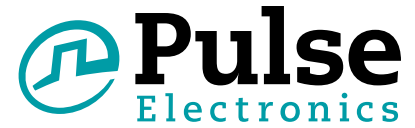


# T1/CEPT/ISDN-PRI Transformer

Quad Port SMT Transformer Module with Line Side Protection



- Four transmit transformers, four receive transformers and line side protection circuit in a surface mount package
- Matched to Level One's LXT384LE/BE Octal T1/E1 Transceiver
- Extended temperature range
- Patented "Interlock Base" construction for high reliability
- IC grade transfer-molded package withstands 235°C IR reflow temperature
- Minimum Isolation voltage: 1500 Vrms
- UL 1950 recognized

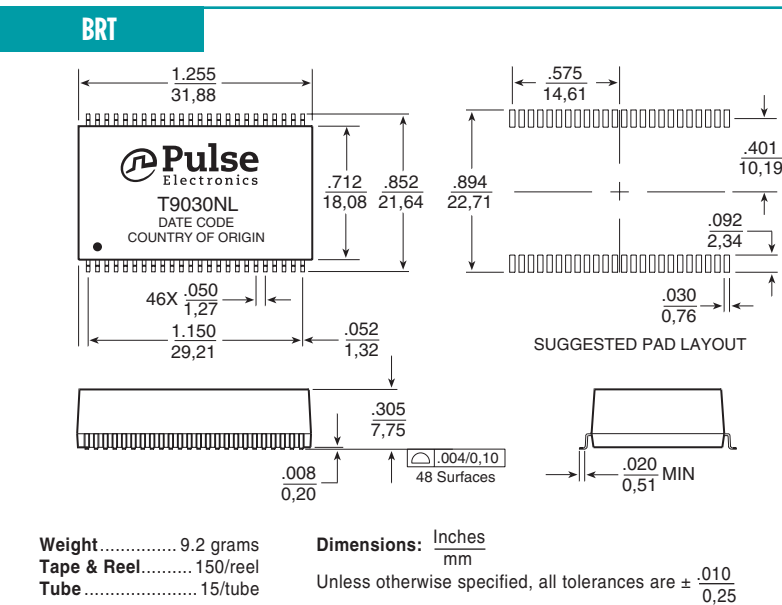
### Electrical Specifications @ 25°C – Operating Temperature -40°C to +85°C

Part Number	Turns Ratio <sup>1</sup> Pri:Sec (±2%)		OCL Line Side (mH MIN)	Cw/W (pF MAX)	Ll (µH MAX)	Package/ Schematic	Primary Pins	
	Transmit	Receive					Transmit	Receive
T9030NL	1CT:2	1CT:1	1.2	35 & 35	.50 & .80	BRT	4-6, 10-12, 16-18, 22-24	48-46, 42-40, 36-34, 30-28

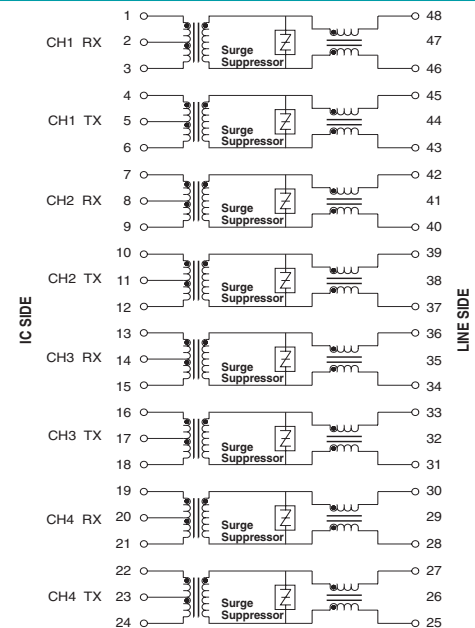
<sup>1</sup>For receive channel, to make a 1:2 ratio from a 1CT:1, use only one-half of the primary (1CT) winding.

**NOTE:** For extended temperature range transformers, OCL (Open Circuit Inductance for the primary winding) is specified at both -40°C and +25°C. At -40°C, OCL is 600 µH minimum. All other parameters are specified at +25°C.

### Mechanicals



### Schematics



### For More Information

**Pulse Worldwide Headquarters**  
12220 World Trade Drive  
San Diego, CA 92128  
U.S.A.

**Pulse Europe**  
Einsteinstrasse 1  
D-71083 Herrenberg  
Germany

**Pulse China Headquarters**  
B402, Shenzhen Academy of  
Aerospace Technology Bldg.  
10th Kejian Road  
High-Tech Zone  
Nanshan District  
Shenzhen, PR China 518057  
Tel: 86 755 33966678  
Fax: 86 755 33966700

**Pulse North China**  
Room 2704/2705  
Super Ocean Finance Ctr.  
2067 Yan An Road West  
Shanghai 200336  
China  
Tel: 86 21 62787060  
Fax: 86 2162786973

**Pulse South Asia**  
135 Joo Seng Road  
#03-02  
PM Industrial Bldg.  
Singapore 368363

**Pulse North Asia**  
3F, No. 198  
Zhongyuan Road  
Zhongli City  
Taoyuan County 320  
Taiwan R. O. C.  
Tel: 886 3 4356768  
Fax: 886 3 4356823 (Pulse)  
Fax: 886 3 4356820 (FRE)

TEL: 858 674 8100  
FAX: 858 674 8262

Tel: 49 7032 7806 0  
Fax: 49 7032 7806 135

Tel: 65 6287 8998  
Fax: 65 6287 8998

Performance warranty of products offered on this data sheet is limited to the parameters specified. Data is subject to change without notice. Other brand and product names mentioned herein may be trademarks or registered trademarks of their respective owners. © Copyright, 2011. Pulse Electronics, Inc. All rights reserved.