

6

5

4

3

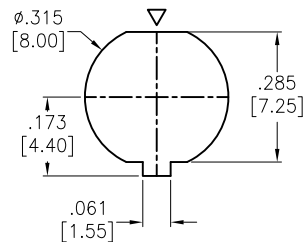
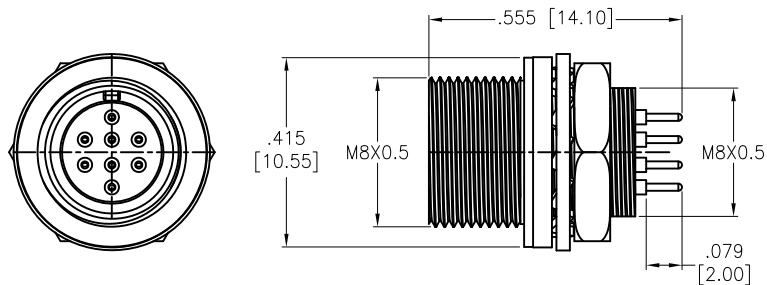
2

1

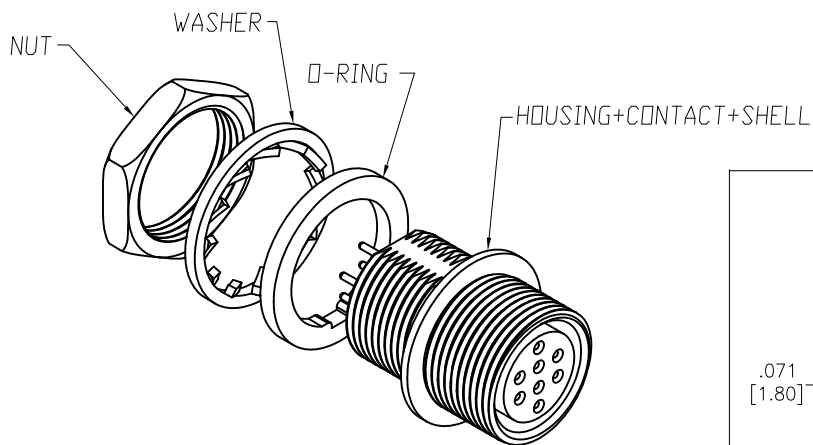
APPROVED: _____

DATE: _____ TITLE: _____

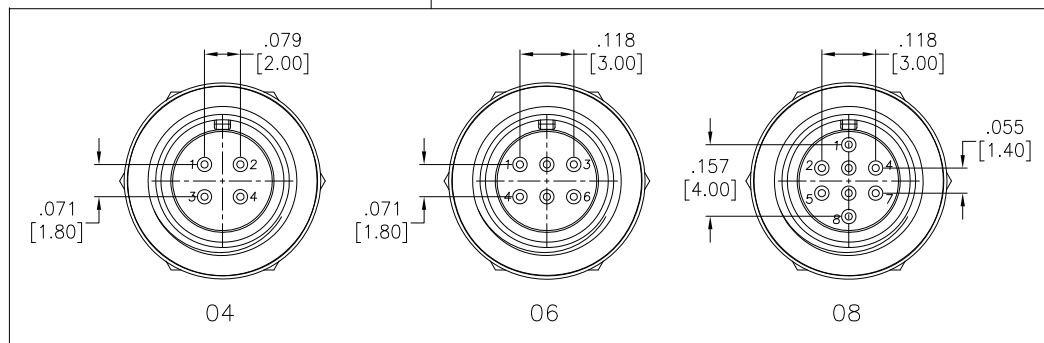
Rev	AWO #	Description	Date	Appr
-		RELEASED	11/23/18	



RECOMMENDED PANEL CUT



SD-PNLXX-FFTRH-P00-000



SPECIFICATIONS:

Material:
Housing: Nylon 46, Color: Black
Contacts: Brass, Gold Flash over Nickel
Shell: Zinc Alloy, Nickel plated
O-ring: EDPM, Color: Black
Nut: Brass, Nickel plated
Washer: Brass
Environmental:
Lead free, RoHS compliant



UNLESS OTHERWISE SPECIFIED
ALL DIMENSIONS ARE INCHES [MM]
TOLERANCES: EXCEPT AS NOTED

INCHES		HOLES	
.X	± .10	Ø.X	± .10
.XX	± .020	Ø.XX	± .015
.XXX	± .015	Ø.XXX	± .010

ADAM TECH
INTERCONNECTS
909 Rahway Avenue,
Union, NJ 07083
Phone: 908-687-5000
Fax: 908-687-5710

TITLE: WATERPROOF CONNECTOR, FEMALE, M8 DIN,
REAR PANEL, SCREW MOUNT, STR PCB TYPE

APPROVALS		DATE
DRAWN	HR	11/23/18
CHECKED	AC	11/23/18
APPROVED		

SIZE X	PART NO. SD-PNLXX-FFTRH-P00-000	REV. -
REF: S00200T	SCALE: NTS	SHEET 1 OF 1

6

5

4

3

2

1