

SAFETY ORGANIZATIONS

THIS FILTER HAS BEEN FORMALLY RECOGNIZED, CERTIFIED OR APPROVED BY THE LISTED AGENCY. THEREFORE, ALL TEST/REQUIREMENTS SPECIFIED IN THE LATEST REVISION OF THE FOLLOWING AGENCY STANDARDS HAVE BEEN MET:

- UL RECOGNIZED: UL 1283
- CSA CERTIFIED: CSA 22.2, # 0,0,4,8
- VDE APPROVED: EN 133 200

OPERATING SPECIFICATIONS

LINE CURRENT/VOLTAGE: 15 AMP, 120/250 VAC,
10 AMP/40°C, 250 VAC

LINE FREQUENCY: 50-60Hz

MAXIMUM LEAKAGE CURRENT,
EACH LINE TO GROUND: 0.07 mA @ 120V 60Hz
0.13 mA @ 250V 50Hz

OPERATING AMBIENT TEMP. RANGE: -10°C TO +40°C @ RATED CURRENT, I_r .

IN AN AMBIENT, T_o , HIGHER THAN 40°C, THE MAXIMUM OPERATING CURRENT, I_o , IS AS FOLLOWS:

$$I_o = I_r \sqrt{\frac{100 - T_o}{60}}$$

RELIABILITY SPECIFICATIONS:

STORAGE TEMPERATURE: -40°C TO +85°C
HUMIDITY: 21 DAYS @ 40°C 95% RH.
CURRENT OVERLOAD TEST: 6 TIMES I_r FOR 8 SECONDS

TEST SPECIFICATIONS:

INDUCTANCE: N/A mH
CAPACITANCE: (MEASURED @ 1KHz, 0.250VAC MAX., 25°C±1°C)
LINE TO GROUND: 1000pF ± 20%
LINE TO LINE: N/A
DISCHARGE RESISTOR: N/A
L/G AND L/L I.R.: N/A
NO DISCHARGE RESISTOR: 6000Ω (MIN.) @ 100VDC, 20°C AND 50% RH

RECOMMENDED RECEIVING INSPECTION HIPOT:

LINE TO GROUND: 1500 VAC FOR 1 MINUTE
LINE TO LINE: 1450 VDC FOR 1 MINUTE

FILTER APPROVAL:

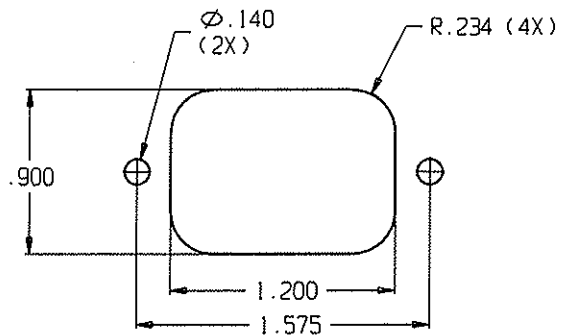
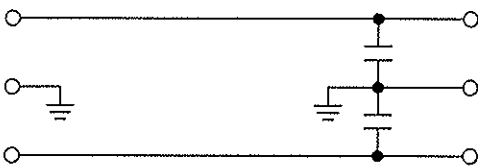
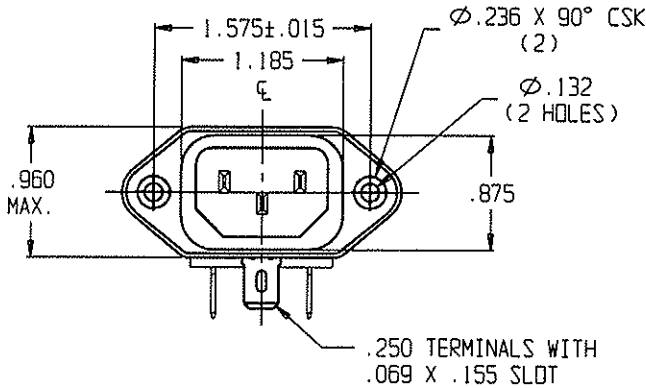
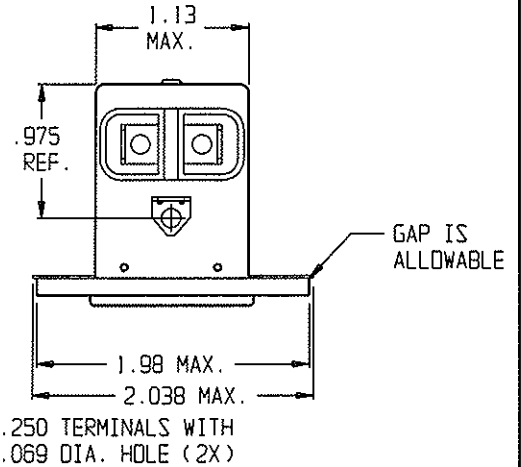
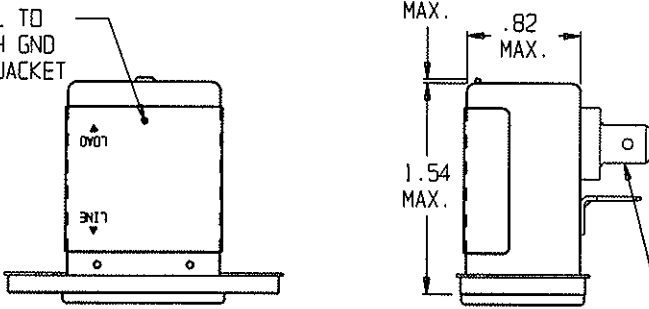
THE BEST WAY TO SELECT AND QUALIFY A FILTER IS FOR YOUR ENGINEERING TO TEST THE UNIT IN YOUR EQUIPMENT.

CUSTOMER DRAWING

CATALOG # 15SRB2-X

ECN #	APPRVD.	DATE
	PJD	02MAY07

DOT ON LABEL TO LINE UP WITH GND TAB IN THE JACKET



PANEL CUTOUT (BACK MOUNT)
TOLERANCE ±.005

50Ω - 50Ω (MINIMUM) INSERTION LOSS							THIRD ANGLE PROJECTION		tyco/Electronics CORCOM 620 S. BUTTERFIELD RD. HUNDELEIN IL 60060			
FREQUENCY MHz	1.0	5.0	10	50	100	300	UNLESS OTHERWISE SPECIFIED, TOLERANCE TO BE ±.025 MATERIAL & FINISH: AS SUPPLIED		POWER LINE FILTER			
COMMON dB	/	5	9	25	10	17	This document is proprietary to CORCOM INC and is not to be reproduced nor used for manufacturing purposes except on CORCOM'S prior written consent.		CAD FILE: G:\CD\15SRB2-X00	TYCO # 5-6609887-1	REV.	
DIFF. dB	/	/	/	/	/	/			SCALE: .75:1	DATE: 18 JAN 06	CATALOG NO.	15SRB2-X
							DRW. BY: SD	DATE: PJD				