

END OF LIFE NOTIFICATION

EOL-POS-201001

This End of Life Notification serves to inform the Purchaser and Consumer of the discontinued availability of the Sensata part numbers listed herein in accordance with the described time line

Issue Date: October 1st 2020

Effective Date: April 1st 2021

Subject:

End of Life notification of the 9900 family of Hall Effect Sensors

Scope:

Production of the 9900 Series of Hall Effect Sensors will be discontinued. The 9900 Series will be replaced by the fully compatible 9360 Series.

Products/Models this EOL applies to:

9901120NS
9902045CW
9902090CCW
9902090CW
9902090NS
9902120CW
9902120CWHT
9902120NS

Last Time Buy Date:

March 31st 2021. These items have been granted a 6 months last time buy period. The products will become obsolete on April 1st 2021.

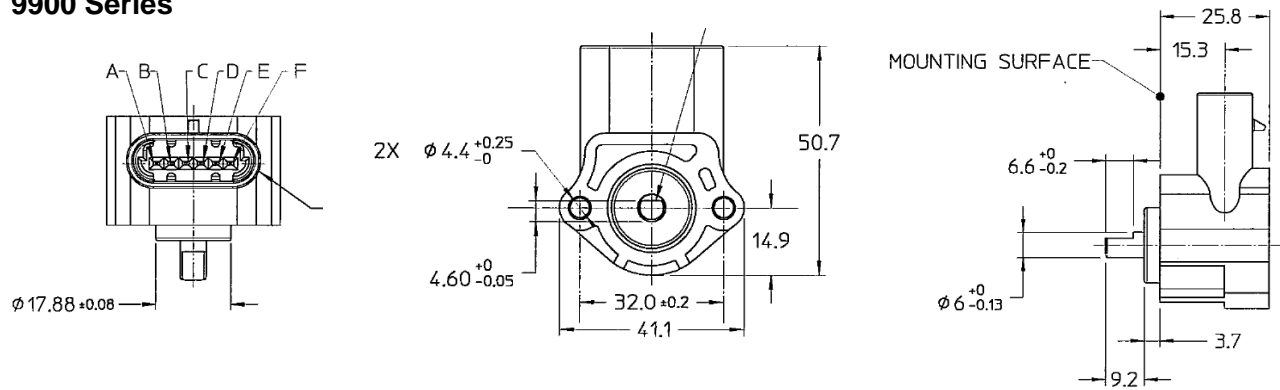
Last Ship Date:

May 31st 2021.

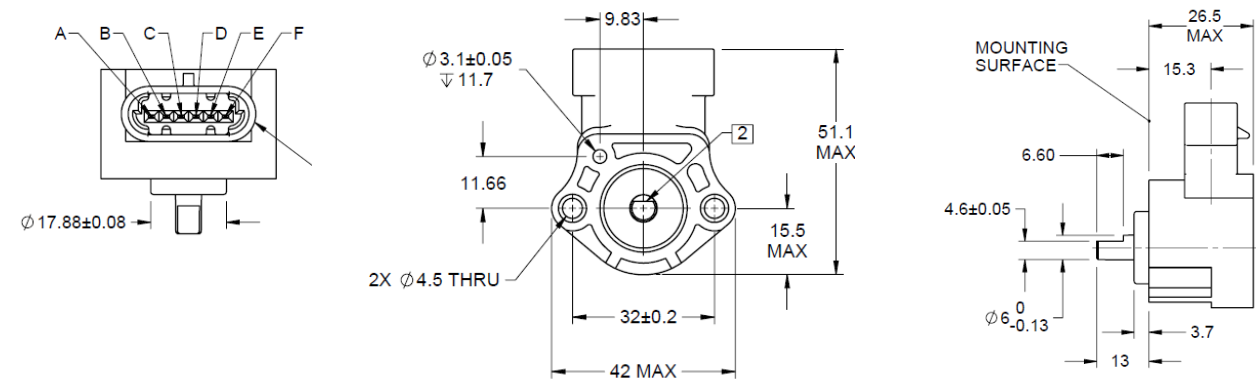
Alternative Products/Models:

The 9900 Series is being replaced by the 9360 Series. The 9360 has comparable features, form, fit, dimensions, pin layout and specifications. The 9360 series has improved performance compared to the 9900 series, has been on the market for many years and is a high runner product. A comparison between the dimensions of the two Series is shown below:

9900 Series



9360 Series



Part numbers to be obsoleted are shown below, including direct replacement part numbers:

9900 Item Number	9360 Item Number
9901120NS	93611203
9902045CW	93620451
9902090CCW	93620902
9902090CW	93620901
9902090NS	93620903
9902120CW	93621201
9902120CWHT	93621201
9902120NS	93621203

Sensata values your business and we regret any inconvenience this may cause.
We remain at your disposal for any support you should need.



Alessandro Bosio

Position Product Manager (Industrial)

Sensata Technologies