

CON292003-1-G

2.92 mm Jack PCB Compression Surface-Mount Connector

The CON292003-1-G is a 2.92 mm jack (female socket) PCB solderless surface-mount connector designed for installation directly to a printed circuit board using the provided screws.

Operating from 0 Hz to 40 GHz, the CON292003-1-G combines superior performance, compact size, and a convenient threaded mating interface to provide a reliable, easy-to-use connector. Additionally, all Linx connectors meet RoHS lead free standards and are tested to meet requirements for corrosion resistance, vibration, mechanical and thermal shock.



Features

- 0 Hz to 40 GHz operation
- Gold plated brass body
- Gold plated beryllium copper center contact
- Gold plated brass clamp
- 2x hex head cap screws, provided
- Direct PCB attachment
- Solderless compression-mount design

Applications

- Satellite communications
- Test and measurement
- Radar
- Experimental

Table 1. Electrical Specifications

Parameter	Value
Impedance	50 Ω
Frequency Range	0 Hz to 40 GHz
Dielectric Withstanding Voltage	750 V RMS
Contact Resistance	Center: ≤ 3.0 mΩ Outer: ≤ 2.0 mΩ
Insulation Resistance	5000 MΩ min.
Insertion Loss (dB max)	0.1
VSWR (max)	1.1

Ordering Information

Part Number	Description
CON292003-1-G	2.92 mm jack (female socket) PCB solderless surface-mount connector with split washers and pan-head 0-80UNF-2A screws

Available from Linx Technologies and select distributors and representatives.

Product Dimensions

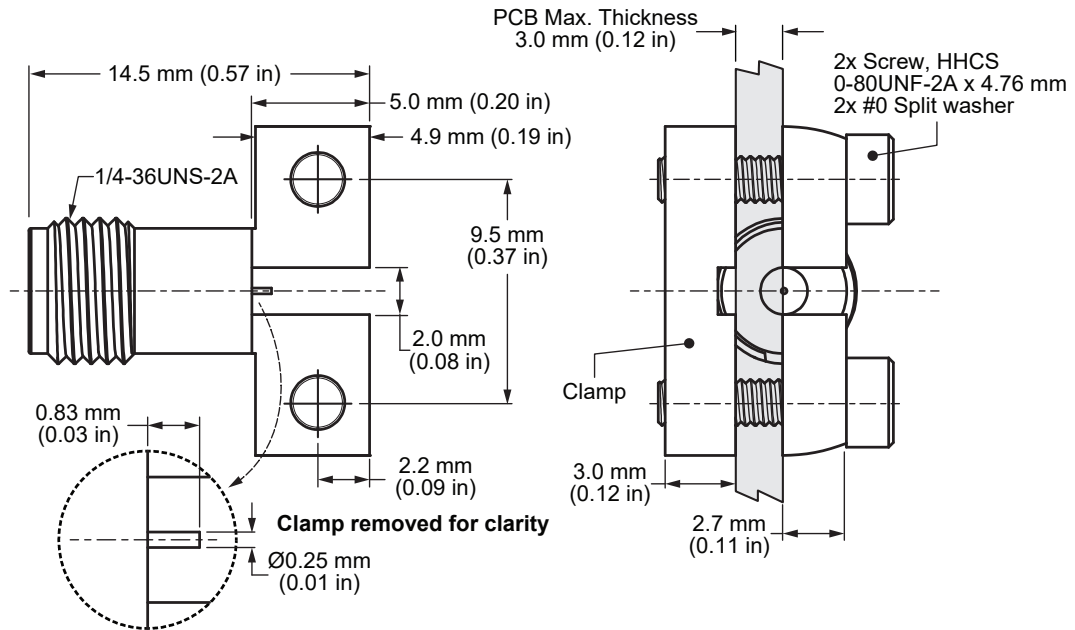


Figure 1. Product Dimensions for the CON292003-1-G Connector

Table 2. Connector Components

Model	CON292003-1-G	
Connector Part	Material	Finish
Connector Body	Brass	Gold
Center Contact (female socket)	Beryllium Copper	Gold
Screw, HHCS (2x) 0-80UNF-2A	Stainless Steel	Passivated

Recommended PCB Footprint

Figure 2 shows the connectors recommended PCB footprint and mounting requirements. The provided screws should be tightened to a torque setting not to exceed 0.3N:m.

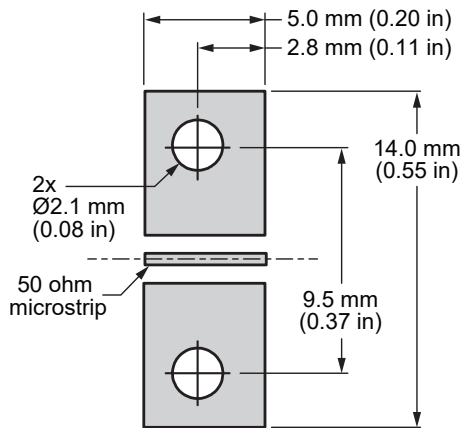


Figure 2. Recommended PCB Dimensions for the CON292003-1-G

Table 3. Mechanical Specifications

Model	CON292003-1-G
Mounting Type	Solderless PCB end-launch design
Fastening Type	1/4-36UNS Threaded Coupling
Interface in Accordance with	MIL-STD-348B
Connector Durability	500 cycles min.
Recommended torque	8.0 in. -lbs
Weight	4.3 g (0.15 oz)

Insertion Loss

Figure 3 shows the Insertion Loss for the CON292003-1-G connector. Insertion loss is the loss of signal power (gain) resulting from the insertion of a device in a transmission line.

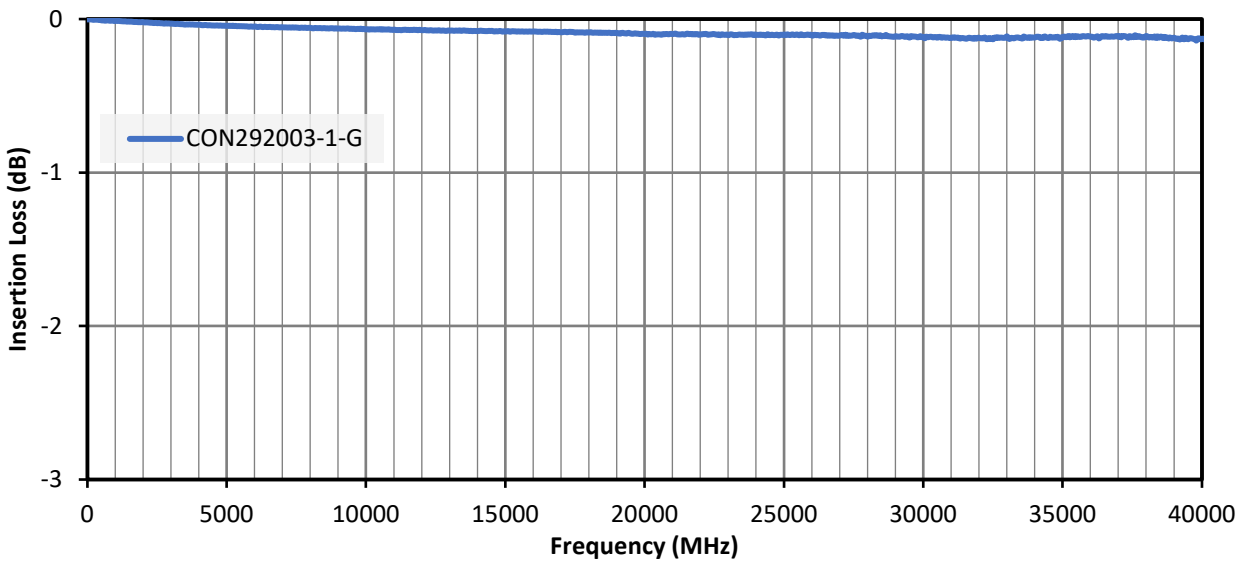


Figure 3. Insertion Loss for the CON292003-1-G Connector

VSWR

Figure 4 provides the voltage standing wave ratio (VSWR) across the adapter’s bandwidth for the CON292003-1-G connector. VSWR describes how efficiently power is transmitted. A lower VSWR value indicates better performance at a given frequency.

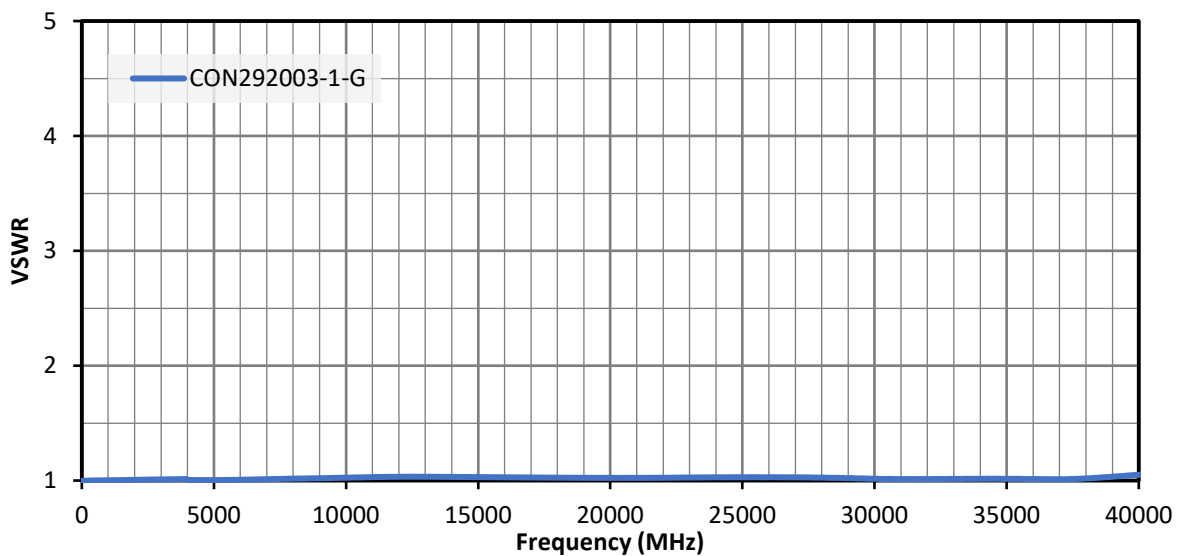


Figure 4. VSWR for the CON292003-1-G Connector

Packaging Information

The CON292003-1-G connector is individually placed in a clear anti-static polyethylene bag. 25 pcs are packaged in a larger anti-static polyethylene bag. 100 pcs are packaged in a shipping carton (370 mm x 330 mm x 240 mm). Distribution channels may offer alternative packaging options.

Connector & Adapter Definitions and Useful Formulas

VSWR - Voltage Standing Wave Ratio. VSWR is a unitless ratio that describes how efficiently power is transmitted through the connector. A lower VSWR value indicates better performance at a given frequency. VSWR is easily derived from Return Loss.

$$VSWR = \frac{10^{\left[\frac{\text{Return Loss}}{20}\right]} + 1}{10^{\left[\frac{\text{Return Loss}}{20}\right]} - 1}$$

Insertion Loss - The loss of signal power (gain) resulting from the insertion of a device in a transmission line. Insertion loss can be derived from the power transmitted to the load before the insertion of the component P_T and the power transmitted to the load after the insertion of the component P_R .

$$Insertion Loss (dB) = 10 \log_{10} \frac{P_T}{P_R}$$

Website: <http://linxtechnologies.com>
Linx Offices: 159 Ort Lane, Merlin, OR, US 97532
Phone: +1 (541) 471-6256
E-MAIL: info@linxtechnologies.com

Linx Technologies reserves the right to make changes to the product(s) or information contained herein without notice. No liability is assumed as a result of their use or application. No rights under any patent accompany the sale of any such product(s) or information.

Wireless Made Simple is a registered trademark of Linx Acquisitions LLC. Other product and brand names may be trademarks or registered trademarks of their respective owners.

Copyright © 2022 Linx Technologies

All Rights Reserved

Doc# DS22320-287CON

